

INNOVATIVE TECHNOLOGY FOR SMALL BUSINESS FROM ITW LINX!

SurgeGate Plus™ Circuitry

⚡ A power monitoring system that acts as a gate to prevent unsafe voltages from damaging sensitive electronic equipment. It automatically detects a prolonged over or undervoltage condition and **disconnects** the power to equipment, then **reconnects** it when the power returns to a safe level, and even protects itself.

Protect or Disconnect™ Circuitry

⚡ Protect or Disconnect safeguards equipment against all surges. In the event of a catastrophic surge, such as lightning, it completely **disconnects** AC power to connected equipment.

SignalPerfect™ Circuitry

⚡ Optimized signal line surge protection ensures a clean, clear signal.

Telephone line circuitry has solid-state SIDACTors® and auto-resetting PTCRs for maximum protection and reliability.

towerMAX 4 KSU

For Key Systems

- AC protection for telecom systems
- Add towerMAX Modules for complete, customized protection



PART No. M4KSU
MATERIAL CODE: 700209794
PEC: 8310-030

towerMAX 4 Series Common Features:

- SurgeGate Plus Circuitry
- Protect or Disconnect Circuitry
- Expandable protection using towerMAX or AllPath® Modules
- Four switched AC power outlets
- Diagnostic indicator lights (four)
- Eight foot power cord with right angle plug
- EMI/RFI noise filtration
- Mounting plates included

RECOMMENDED BY



towerMAX 4 LAN

For Networked Computers

- SignalPerfect Circuitry
- Protection for one 10/100BASE-T Ethernet line
- RJ-45 jacks



PART No. M4L

towerMAX 4 TEL

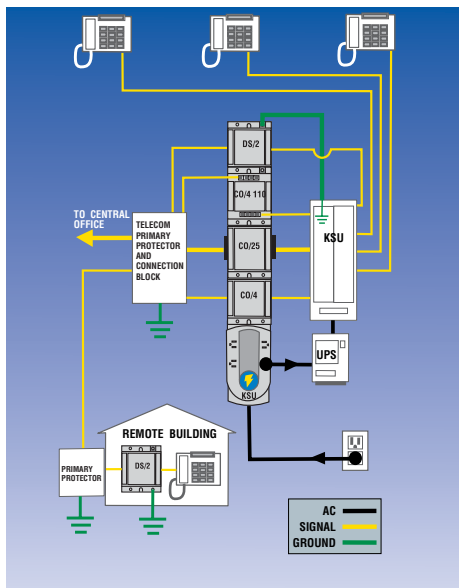
For Computers with Modems

- SignalPerfect Circuitry
- Protection for one phone line
- RJ-11/45 compatible jacks

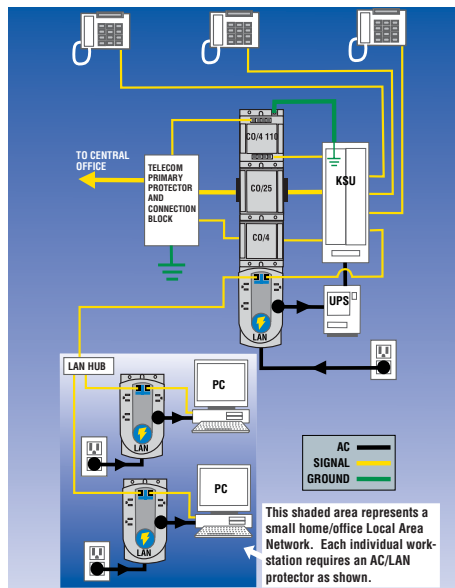


PART No. M4T

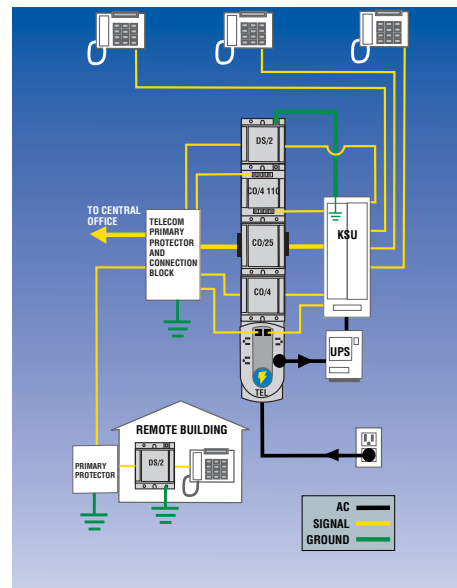
PREMIER POINT-OF-USE AC, PHONE, LAN SYSTEM EXPANDABLE SURGE PROTECTION



Typical application for towerMAX 4 KSU base unit and towerMAX modules for phone system protection.



Typical application for towerMAX 4 LAN and towerMAX modules for small office network and phone system protection.



Typical application for towerMAX 4 TEL and towerMAX modules for phone system protection.

INNOVATIVE TECHNOLOGY FROM ITW LINX

SurgeGate Plus Circuitry

Automatic protection against prolonged overvoltage and undervoltage (brownout) damage.



1. Overvoltage **DISCONNECT**
2. Safe Voltage **RECONNECT**
3. Undervoltage **DISCONNECT**
4. Safe Voltage **RECONNECT**

The circuitry will even protect the unit itself.

Protect or Disconnect

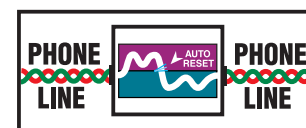
Safeguards equipment against all surges. In the event of a catastrophic surge, such as lightning, it completely disconnects AC power to connected equipment.



1. Catastrophic Surge
2. **COMPLETE DISCONNECT**

SignalPerfect Circuitry

Optimized surge protection for telephone and coaxial lines.



Telephone line circuitry has solid-state SIDACTors® and auto-resetting PTCRs for maximum protection and reliability.

TECHNICAL SPECIFICATIONS

AC SURGE PROTECTION

Protect or Disconnect Circuitry	Yes
SurgeGate Plus Circuitry	Yes
Thermal Fusing	Yes
Over/Undervoltage Voltage Protection	Yes
Overvoltage Voltage Shutoff	147V ± 8V
Undervoltage Voltage Shutoff	84V ± 6V
Single Pulse Energy Dissipation	1650 Joules
Peak Impulse Current	52,000 A
EMI/RFI Noise Filtration	50db (100 KHz–1 MHz)
Line Voltage	120VAC, 50/60Hz
Initial Clamping Level	200V Peak, 141V Rms
Protection Modes	L-N, L-G, N-G
Maximum Current Rating	15A (1800W)
Response Time	<1 nanosecond

GENERAL

For up-to-date warranty information see our web site: itwlinx.com
UL 1449 Rating 330V

SignalPerfect Circuitry SPECIFICATIONS:

TELCO CIRCUIT PROTECTION (towerMAX 4 TEL)

Fuseless/Auto-Resettable	Yes
Clamping Level	260V
Capacitance	30 Pf (approx.)
Suppression Modes	Metallic & Longitudinal
Wires Protected	2 wire, 1 pair (pins 4, 5)
Connectors	RJ-11/45

LAN CIRCUIT PROTECTION (towerMAX 4 LAN)

Clamping Level	7V
Wires Protected	Pins 1–8
Connections	RJ-11/45