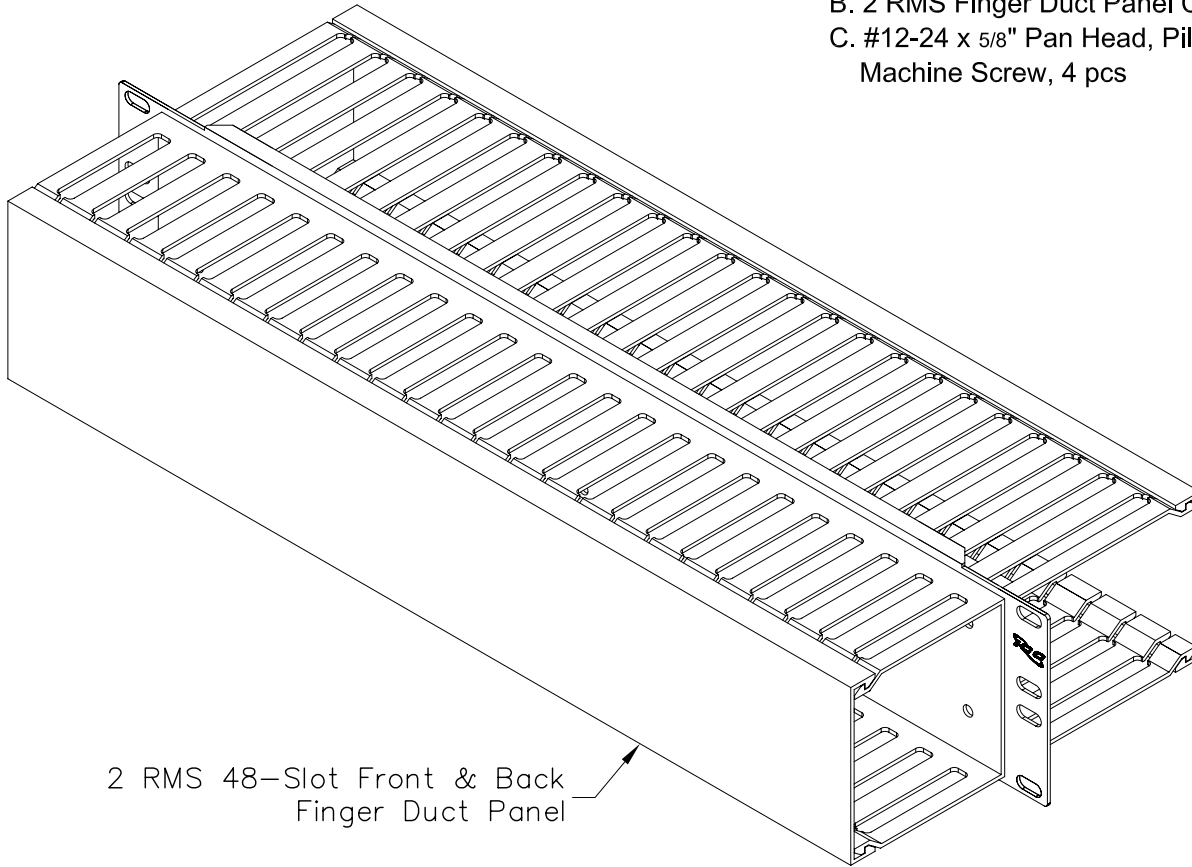


48-Slot Front & Back Finger Duct Panel, 2 RMS

PRODUCT SPECIFICATION

Package includes:

- A. 2 RMS 48-Slot Front & Back Finger Duct Panel, 1 pc
- B. 2 RMS Finger Duct Panel Cover, 2 pcs
- C. #12-24 x 5/8" Pan Head, Pilot Point Machine Screw, 4 pcs



2 RMS 48-Slot Front & Back Finger Duct Panel

Features and Benefits:

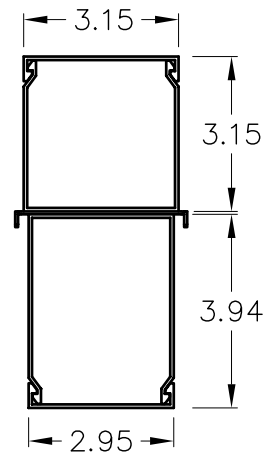
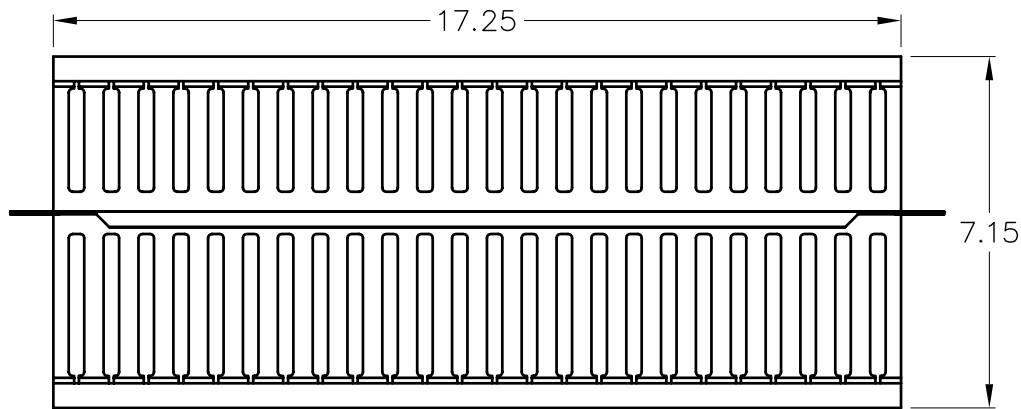
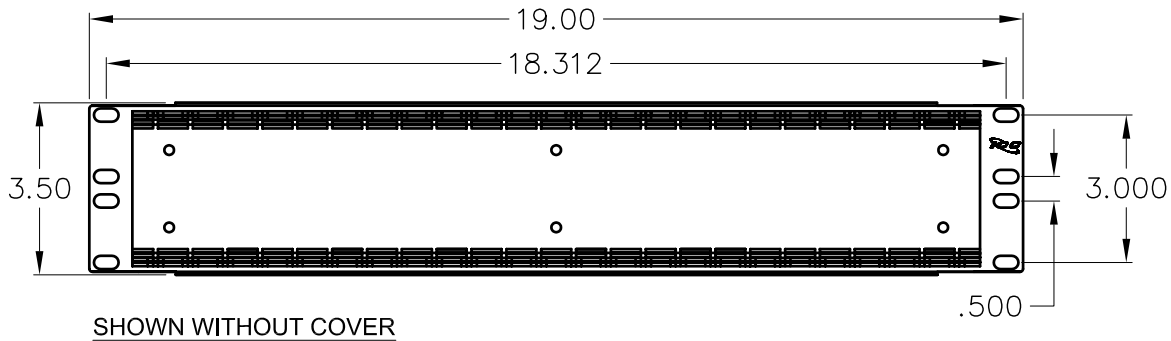
- Provides flexibility for front and back cable management with a neat and clean appearance
- Designed with slotted ducts providing horizontal cable management on the front and back of a rack
- Designed to fit all standard 19" racks and cabinets
- 2 rack mount space (RMS)
- Used with all ICCMS racks and brackets
- UL listed

PANEL, FRONT-BACK FINGER DUCT, 48-SLOT, 2 RMS

ITEM NO.	ICCMSCMA62	REV.	A
DWG NO.	PSCMSCMA62	PAGE NO.	1



CUSTOMER CARE / TECHNICAL SUPPORT * CSR@ICC.COM / 888-ASK-4-ICC (275-4422) * 16800 Edwards Road, Cerritos, CA 90703 * Phone 562-356-3111 * Fax 562-356-3100 * www.icc.com



NOTE: UNLESS OTHERWISE SPECIFIED

1. PANEL:
 - A. MATERIAL: 16 GA CRS
 - B. SURFACE FINISH: BLACK POWDER COAT
2. DUCT:
 - A. MATERIAL: PVC, UL 94V-0
 - B. FINISH: TEXTURE, BLACK
3. COVER:
 - A. MATERIAL: PVC, UL 94V-0
 - B. COLOR: BLACK

UL US FILE NO. 125268

PANEL, FRONT-BACK FINGER DUCT, 48-SLOT, 2 RMS

ITEM NO.	ICCMSCMA62	REV.	A
DWG NO.	PSCMSCMA62	PAGE NO.	2



CUSTOMER CARE / TECHNICAL SUPPORT * CSR@ICC.COM / 888-ASK-4-ICC (275-4422) * 16800 Edwards Road, Cerritos, CA 90703 * Phone 562-356-3111 * Fax 562-356-3100 * www.icc.com